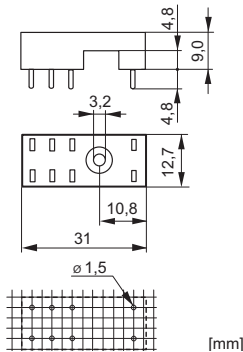




PCB socket SRP-GR2

- PCB socket for SGR282Z, SIR282
- With hold down clip
- Soldering tags for PCB
- 2.5mm pinning

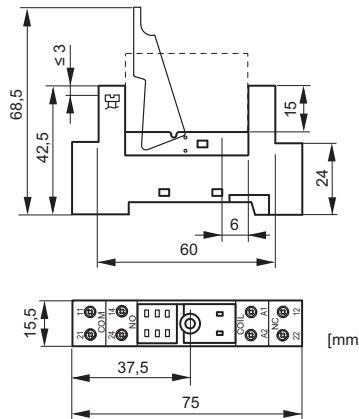
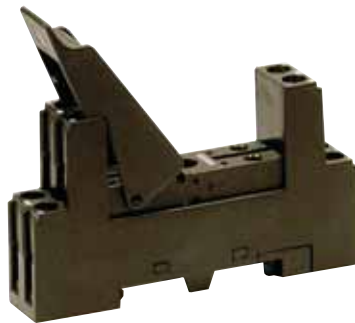


Technical data

Rated current	2x8A
Rated voltage	300VAC
Test voltage coil/contacts	5'000Veff
Insulation class (IEC 60664-1)	250VAC
Creepage resistance	CTI 250
Weight	approx. 4g
Ambient temperature	-40°C to +80°C
Packing unit	100 pcs
Approvals	UL, cUL
UL File	E113714

DIN rail socket SRD-GR2

- DIN rail socket for SGR282Z, SIR282
- With plastic grip and marking tag (1 pc)
- Screw terminals
- 5mm pinning
- Assembly on DIN rail 35mm or single-hole mounting with M3 screw



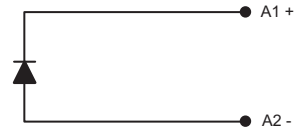
Technical data

Rated current	2x8A
Rated voltage	300VAC
Test voltage coil/contacts	4'000Veff
Insulation class (IEC 60664-1)	250VAC
Creepage resistance	CTI 250
Weight	approx. 40g
Ambient temperature	-25°C to +80°C
Cross sections for connection with	
- wires	2x2.5mm ²
- end sleeves for strands	2x1.5mm ²
Torque max.	0,8 Nm
Packing unit	20 pcs
Approvals	UL, cUL
UL File	E113714

Modules for DIN rail sockets

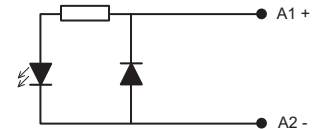
Module SRD-GR2-M01

- For DIN rail socket SRD-GR2
- Diode 6VDC to 230VDC (+ on terminal A1)



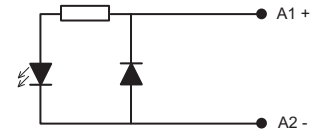
Module SRD-GR2-M02

- For DIN rail socket SRD-GR2
- Diode with red Led, 6VDC to 24VDC (+ on terminal A1)



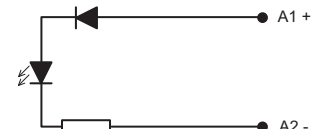
Module SRD-GR2-M03

- For DIN rail socket SRD-GR2
- Diode with green Led, 6VDC to 24VDC (+ on terminal A1)



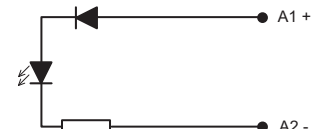
Module SRD-GR2-M04

- For DIN rail socket SRD-GR2
- Red Led, 6VDC to 24VDC (+ on terminal A1)



Module SRD-GR2-M05

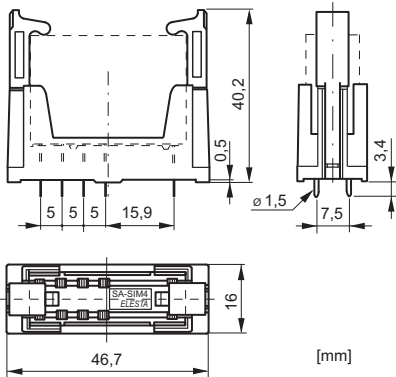
- For DIN rail socket SRD-GR2
- Green Led, 6VDC to 24VDC (+ on terminal A1)





PCB socket SRP-SIM4

- PCB socket for SIM 3 and 4 Contacts
- With integrated retaining/ejector handles
- Soldering tags for PCB

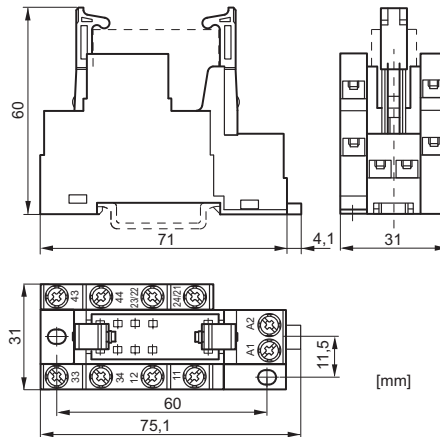


Technical data

Rated current	7A
Rated voltage	250VAC
Test voltage coil/contacts	4'000Veff
Insulation class (IEC 60664-1)	250VAC
Creepage resistance	CTI 250
Weight	approx. 11g
Ambient temperature	-25°C to +70°C
Packing unit	20 pcs
Approvals	UL, cUL
UL File	E301947

DIN rail socket SRD-SIM4

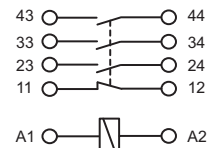
- DIN rail socket for SIM 3 and 4 Contacts
- With integrated retaining/ejector handles
- Screw terminals
- Assembly on DIN rail 35mm or with 2xM3 screws



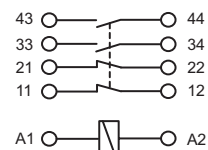
Technical data

Rated current	8A
Rated voltage	250VAC
Test voltage coil/contacts	2'500Veff
Insulation class (IEC 60664-1)	250VAC
Creepage resistance	CTI 250
Weight	approx. 65g
Ambient temperature	-25°C to +70°C
Cross sections for connection with	
- wires	2x2.5mm ²
- end sleeves for strands	2x1.5mm ²
Torque max.	0.8 Nm
Packing unit	10 pcs
Approvals	UL, cUL
UL File	E301947

SRD-SIM4 (SIM312...)



SRD-SIM4 (SIM222...)



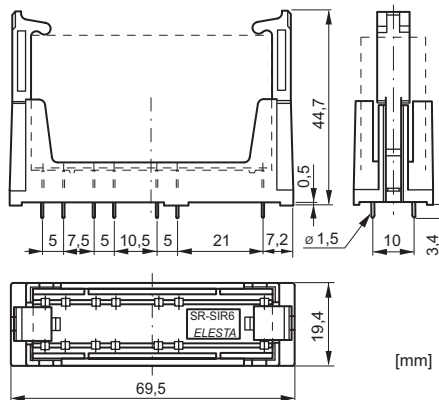
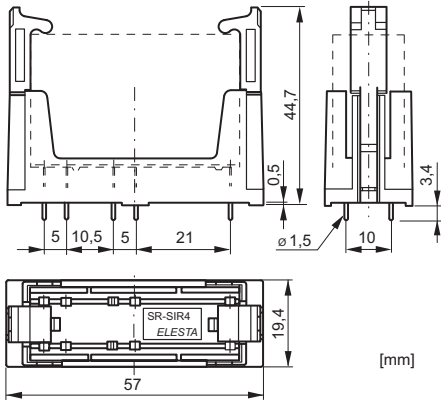
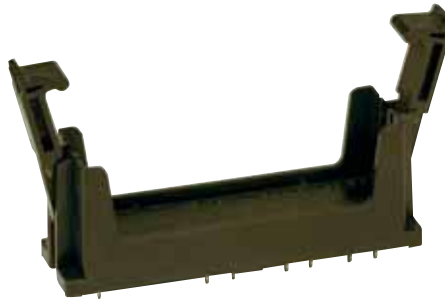


PCB socket SRP-SIR4

- PCB socket for SIR 4 Contacts
- With integrated retaining/ejector handles
- Soldering tags for PCB

PCB socket SRP-SIR6

- PCB socket for SIR 6 Contacts
- With integrated retaining/ejector handles
- Soldering tags for PCB



Technical data

Rated current	7A
Rated voltage	250VAC
Test voltage coil/contacts	4'000Veff
Insulation class (IEC 60664-1)	250VAC
Creepage resistance	CTI 250
Weight	approx. 15g
Ambient temperature	-25°C to +70°C
Packing unit	20 pcs
Approvals	UL, cUL
UL File	E301947

Technical data

Rated current	7A
Rated voltage	250VAC
Test voltage coil/contacts	4'000Veff
Insulation class (IEC 60664-1)	250VAC
Creepage resistance	CTI 250
Weight	approx. 17g
Ambient temperature	-25°C to +70°C
Packing unit	20 pcs
Approvals	UL, cUL
UL File	E301947