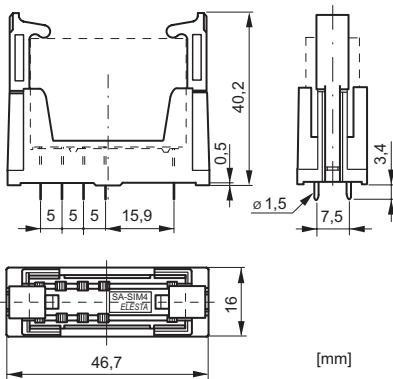
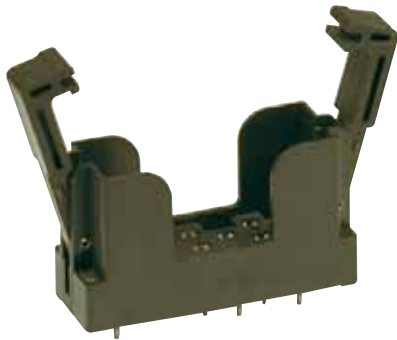




PCB socket SRP-SIM4

- PCB socket for SIM 3 and 4 Contacts
- With integrated retaining/ejector handles
- Soldering tags for PCB

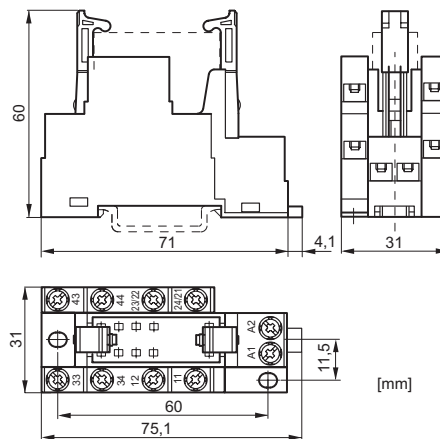
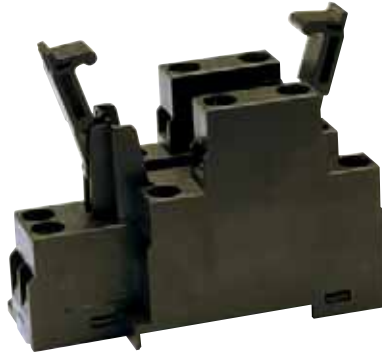


Technical data

Rated current	7A
Rated voltage	250VAC
Test voltage coil/contacts	4'000Veff
Insulation class (IEC 60664-1)	250VAC
Creepage resistance	CTI 250
Weight	approx. 11g
Ambient temperature	-25°C to +70°C
Packing unit	20 pcs
Approvals	UL, cUL

DIN rail socket SRD-SIM4

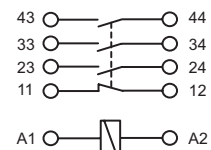
- DIN rail socket for SIM 3 and 4 Contacts
- With integrated retaining/ejector handles
- Screw terminals
- Assembly on DIN rail 35mm or with 2xM3 screws



Technical data

Rated current	6A
Rated voltage	250VAC
Test voltage coil/contacts	2'500Veff
Insulation class (IEC 60664-1)	250VAC
Creepage resistance	CTI 250
Weight	approx. 65g
Ambient temperature	-25°C to +70°C
Cross sections for connection with	
- wires	2x2.5mm ²
- end sleeves for strands	2x1.5mm ²
Torque max.	0.8 Nm
Packing unit	10 pcs
Approvals	UL, cUL

SRD-SIM4 (SIM312...)



SRD-SIM4 (SIM222...)

